

The selection is detailed on page 4



CT7

Digital Temperature Controller

Working principle

Through the temperature sensor, the ambient temperature is automatically sampled and monitored in real time. When the ambient temperature is higher than the control setting value, the control circuit starts and the control return difference can be set. If the temperature is still rising, when it rises to the set alarm temperature point, start the alarm function. When the controlled temperature can not be effectively controlled, in order to prevent the damage of the equipment, it can also stop the equipment from continuing to run through the function of tripping.

Product application

Temperature control in large plants
 General machine building
 Refrigeration technology
 Domestic and industrial heating

Product description

The CT7 is a temperature controller for simple thermostat applications. It has the characteristics of simple operation and high switch rating.

The CT7 design allows the controller to be used as an alternative to purely mechanical remote reading thermometers. Compared to mechanical thermostats, the CT7 can handle more switching cycles and therefore has a longer service life.

Functional characteristics

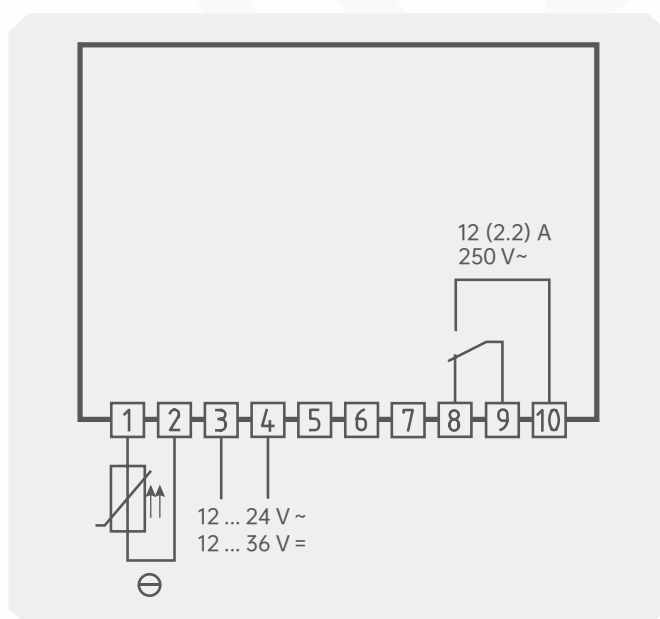
Temperature controller and digital indicator in a single instrument
 Long service life
 Simple operation
 High contact rating, up to 12 A
 For panel mounting



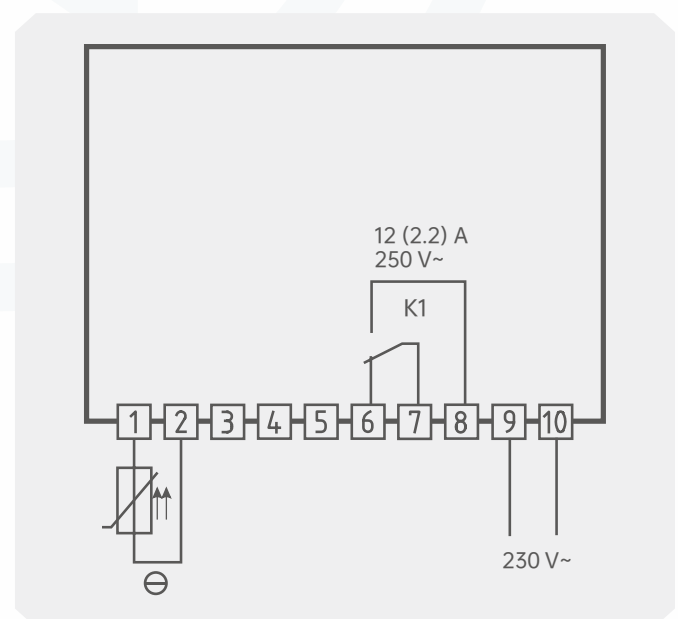
Technical parameter

Nominal size	Front dimensions: 62 x 28 mm
	Installation dimensions: 58.2 x 25.2 mm
Induction element	Pt100 Resistance thermometer (preset), Pt1000 or PTC (can be selected through the software menu)
Measuring range	Pt100, Pt1000: -80 ... +400 °C
	PTC: -50 ... +130 °C
Measurement accuracy	±1 K or ± 0.5% of the measuring range (larger values are applicable)
reveal	The actual value display can be an integer or a resolution of 0.5K or 0.1K
	3-digit LED display, 13mm high, red
Power source	
▪ Model CT7-3	AC 230 V, 50/60 Hz, maximum current consumption 20mA
▪ Model CT7-2	AC 12 ... 24 V, DC 12... 36 V, current consumption
Switching output	Relay output AC 250 V / 12 A (2.2 A inductive load), transfer contact
Electrical connection	Screw terminal, maximum cable 1.5 mm ²
shell	Black plastic
weight	About 200g
Class of protection	Front panel IP50 (for panel mounting)
	Terminal IP00
Installation options	Flush mounting
Allowable environmental conditions	
▪ Storage temperature	- 20... + 70 °C
▪ Operating temperature	0... 50 °C
▪ Relative humidity	Up to 75%, no condensation

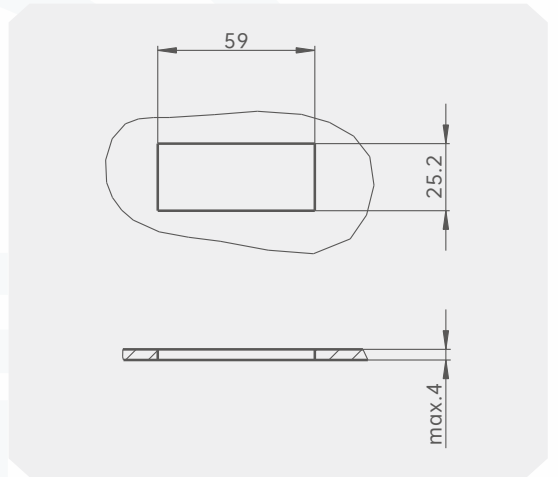
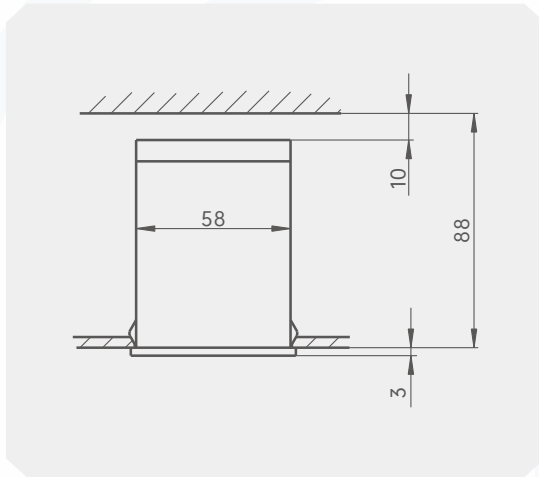
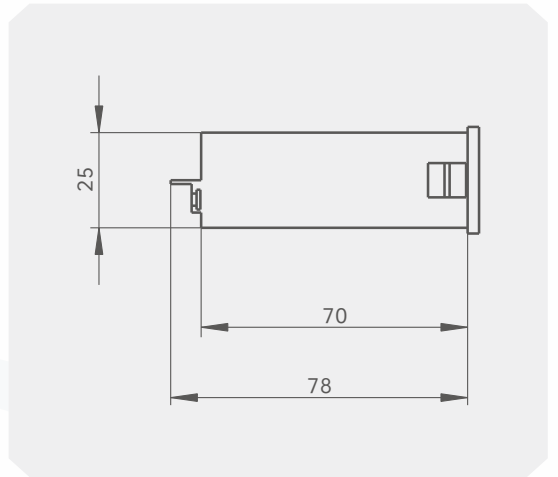
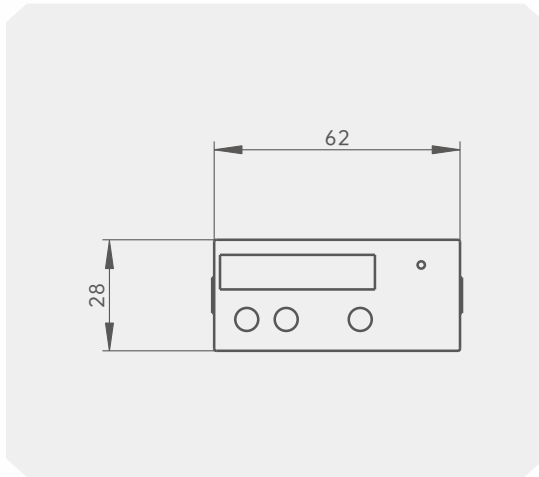
Model CT7-2



Model CT7-3



Size mm



CT7-Selection composition

Selection example **CT7** **A** **S** **0-400** **N**

1 2 3 4

1.Selection description	A	CT7-2
	B	CT7-3
	B	ABS
2.Induction element	S	304SS
	L	316L
	T()	Other materials
3.Measuring range	G	-80...+400°C (Pt100,Pt1000)
	H	-50...+130°C (PTC)
4.precision	N	AC 230V (CT7-3)
	O	AC 12...24V (CT7-2)
	P	DC 12...36V (CT7-2)

Instructions:

Indicates that the induction element of CT7-2 digital display temperature controller is 304SS, and the measuring range is 0... 400°C, the working power supply is DC 24V.

Product Certification

Compliance and approval; Rodewig pressure gauges meet key standards and certifications for process measurement technology; Thus guaranteeing the highest reliability in such Settings;